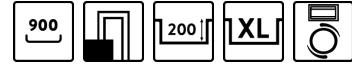
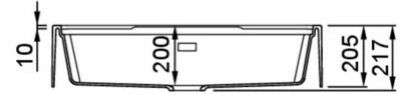
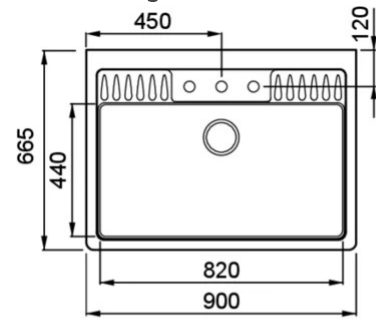


# SPAZIO 900 XL



## Technical Drawing



|  |                |
|--|----------------|
| 0  |                |
| <b>Description</b>                         | 1-bowl sink    |
| <b>Model</b>                               | SPAZIO 900 XL  |
| <b>Base (mm)</b>                           | 900            |
| 0  | Overlapping    |
| <b>Dimensions (mm)</b>                     | 900 x 665      |
| <b>Hole for built-in installation (mm)</b> | as per drawing |
| <b>Number of Bowls</b>                     | 1              |
| <b>Bowl Depth (mm)</b>                     | 200            |

|                          |       |
|--------------------------|-------|
| 0                        |       |
| <b>Gross Weight (kg)</b> | 28,00 |
| <b>Net Weight (kg)</b>   | 23,00 |
| 0 (kg)                   | 0,256 |

|   |   |
|---|---|
| 0 |   |
| 0 | Space-saving siphon, integrated Flow Pro, rectangular overflow and hooks. |

# KERATEK



**LKS90086XLP** K86  
8032861023296



**LKS90093XLP** K93  
8032861023302



**LKS90095XLP** K95  
8032861023319



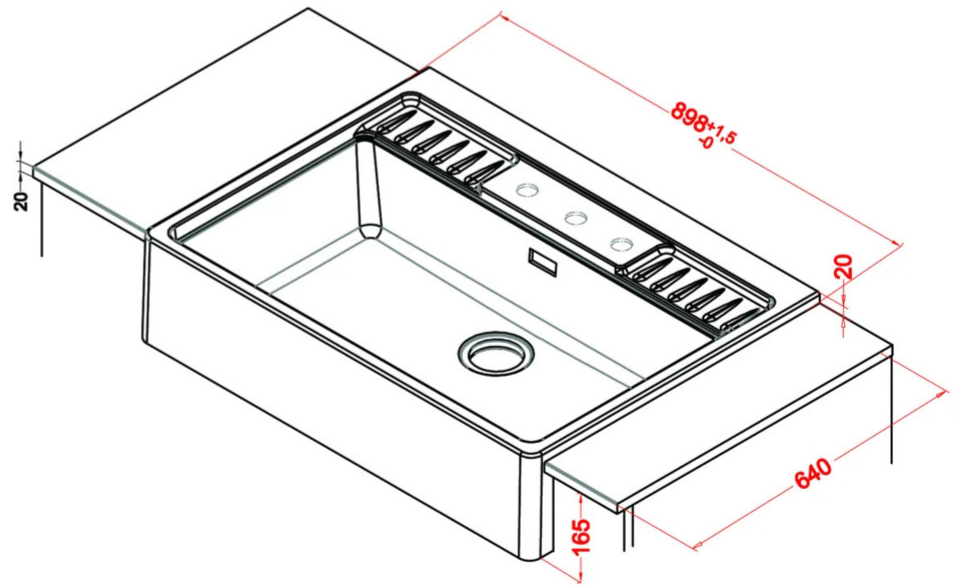
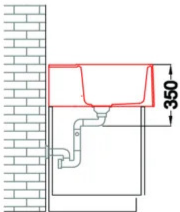
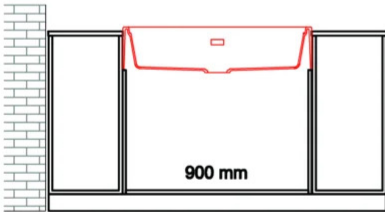
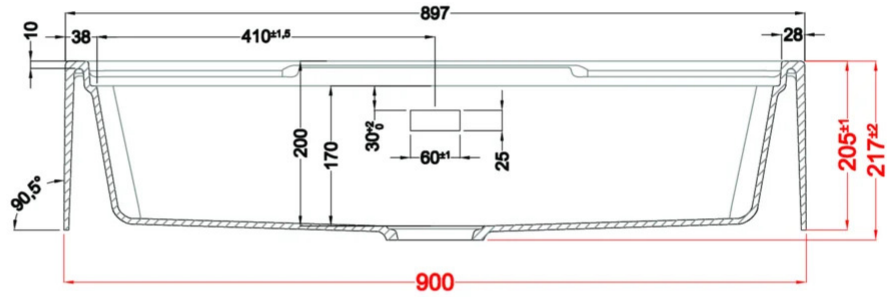
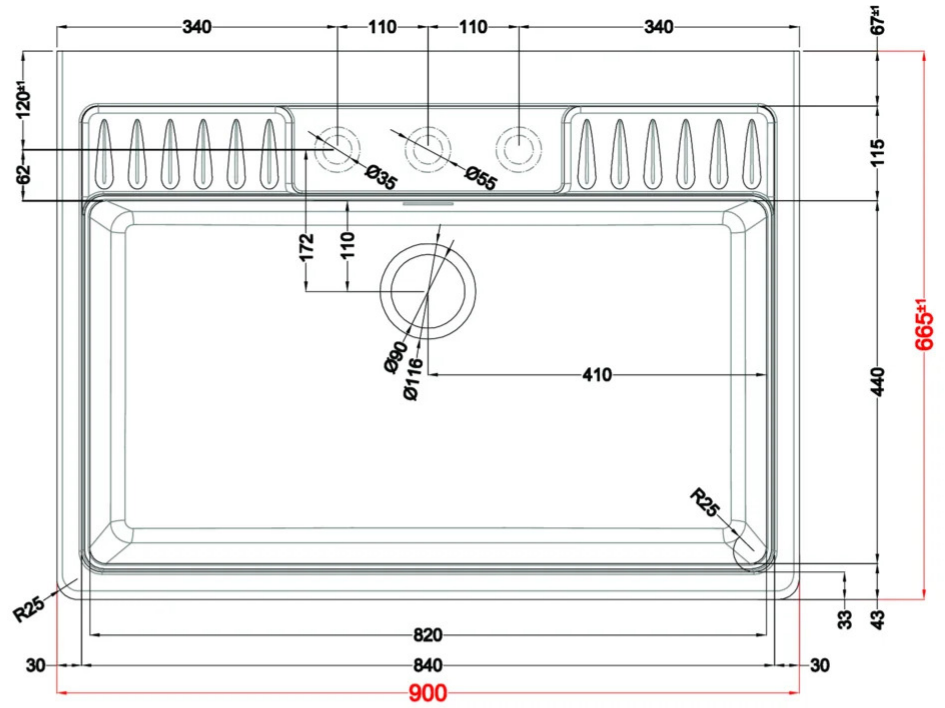
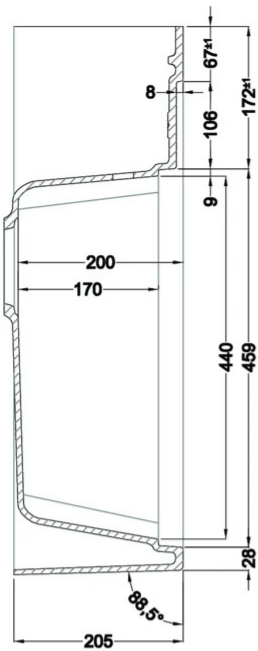
**LKS90096XLP** K96  
8032861023326



**LKS90097XLP** K97  
8032861023333



**LKS90099XLP** K99  
8032861023340



# Spazio 900\_665

general tolerances where not expressly communicated  $\pm 1$  mm  
 connection dimensions according to UNI EN 695  
 eventual exceptions are reported with \*

elleci