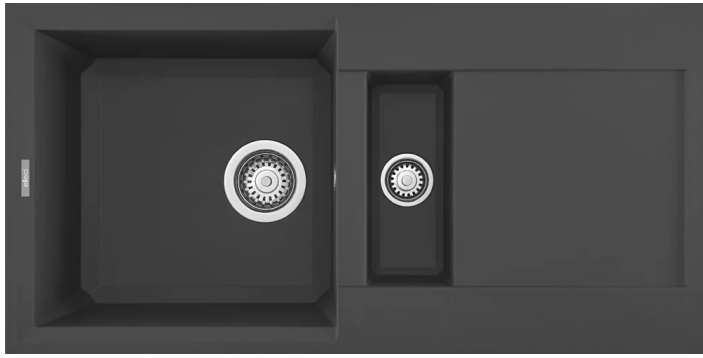
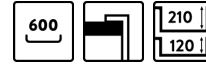
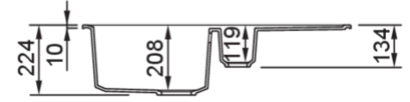
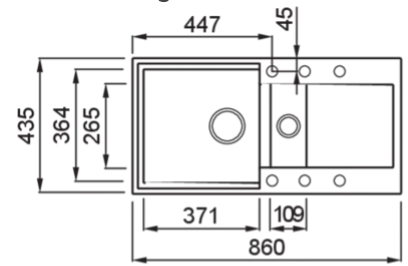


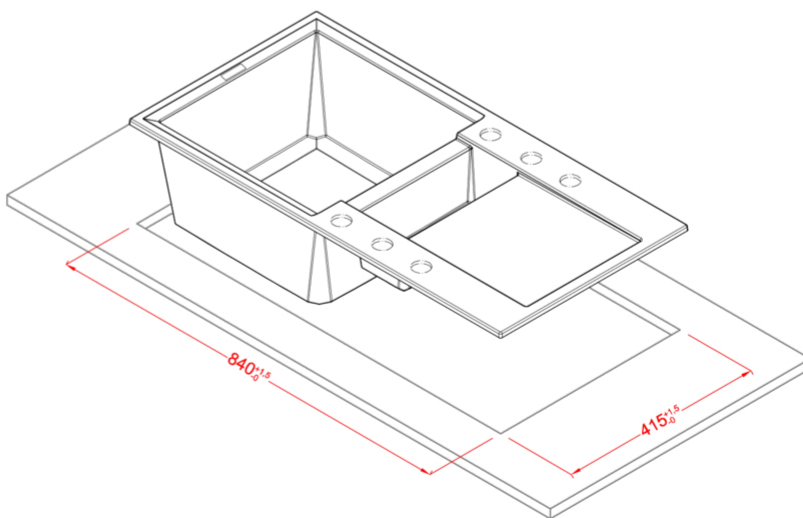
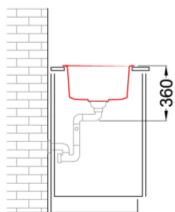
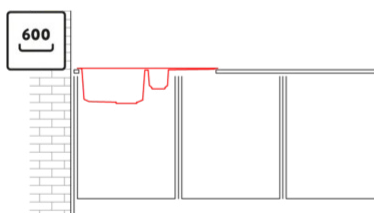
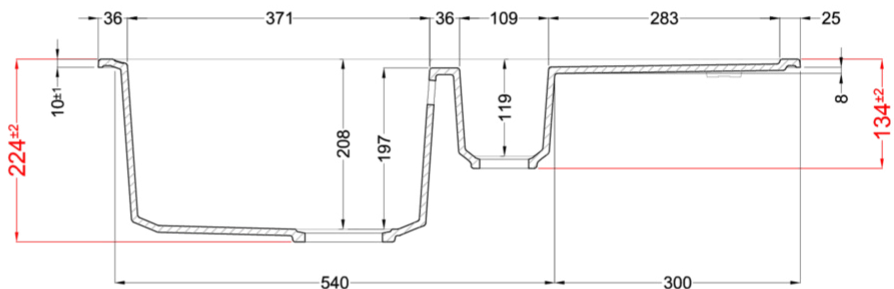
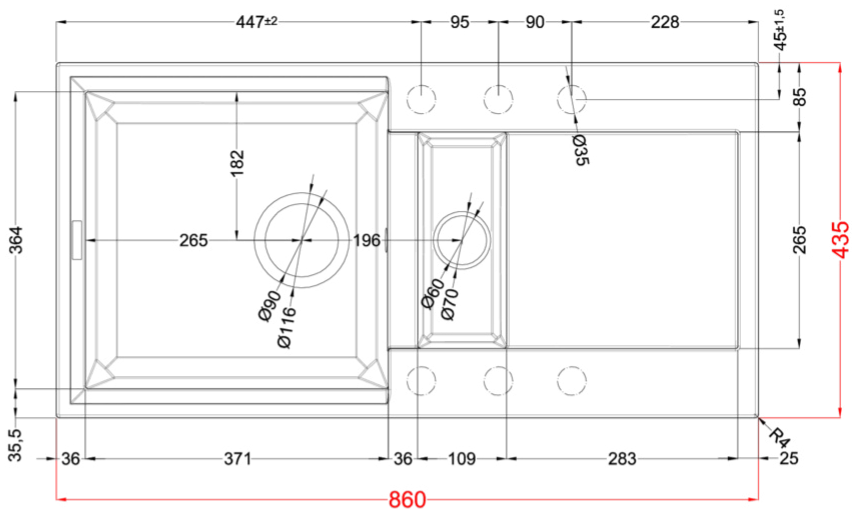
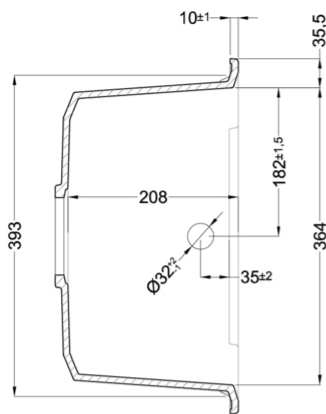
EASY 425



Technical Drawing



0	
Description	1½-bowl sink with drainer
Model	EASY 425
Base (mm)	600
0	Inset
Dimensions (mm)	860 x 435
Hole for built-in installation (mm)	840 x 415
Number of Bowls	1.5
0	
Gross Weight (kg)	16,66
Net Weight (kg)	10,70
Packaging Dimension (kg)	940 x 575 x 300
0 (kg)	0,162
0	
Packaging	Cardboard and polyethylene
0	Space-saving siphon, wastes and hooks.



EASY 425

general tolerances where not expressly communicated ±0.2%
connection dimensions according to UNI EN 695

