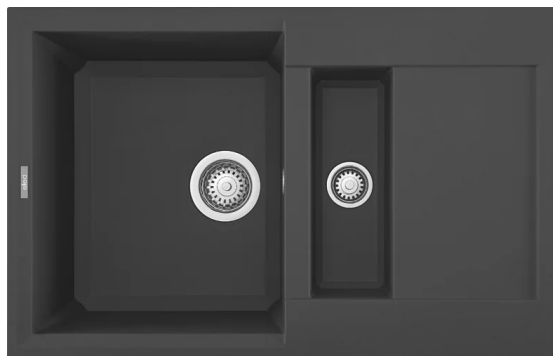
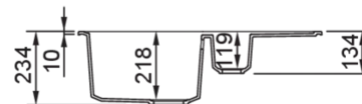
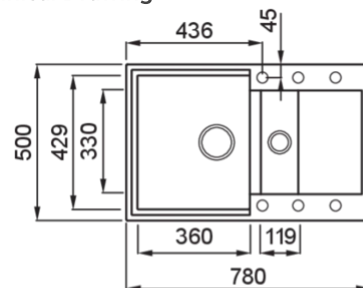


# EASY 325



## Technical Drawing



0

**Description** 1½-bowl sink with drainer

**Model** EASY 325

**Base (mm)** 600

**0** Inset

**Dimensions (mm)** 780 x 500

**Hole for built-in installation (mm)** 760 x 480

**Number of Bowls** 1.5

0

**Gross Weight (kg)** 17,49

**Net Weight (kg)** 11,80

**Packaging Dimension (kg)** 870 x 575 x 300

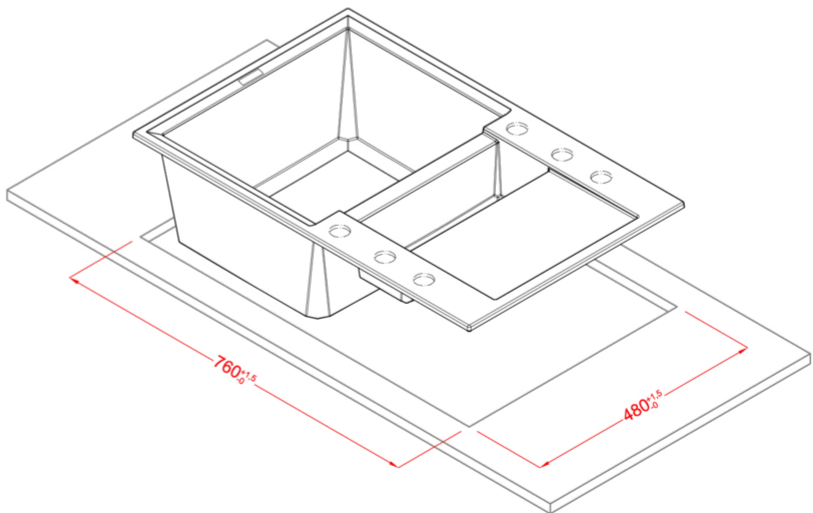
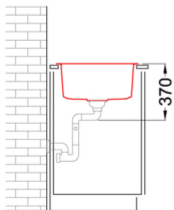
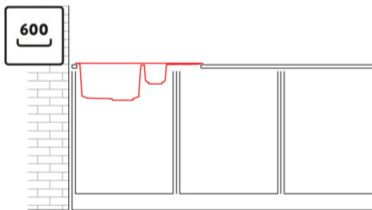
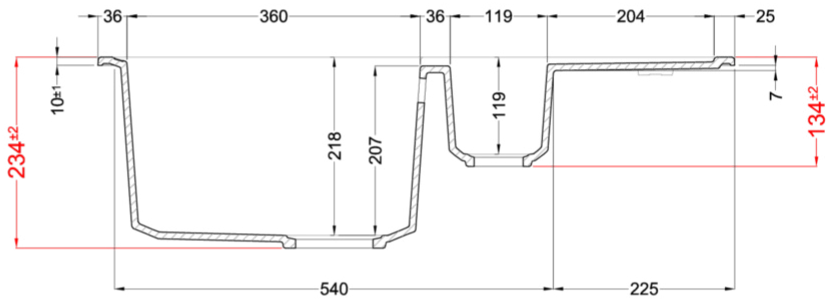
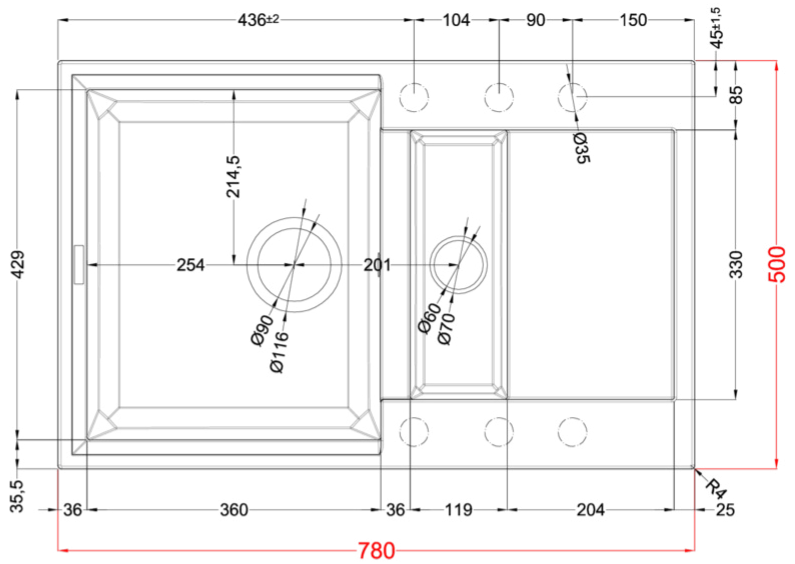
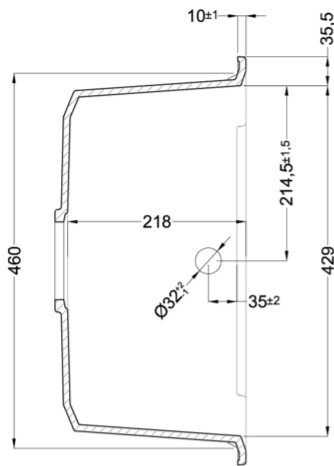
**0 (kg)** 0,150

0

**Packaging** Cardboard and polyethylene

**0** Space-saving siphon, wastes and hooks.





## EASY 325

general tolerances where not expressly communicated ±0.2%  
connection dimensions according to UNI EN 695