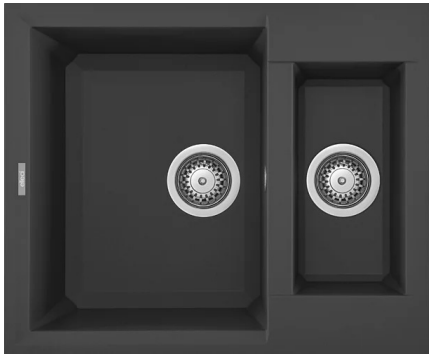
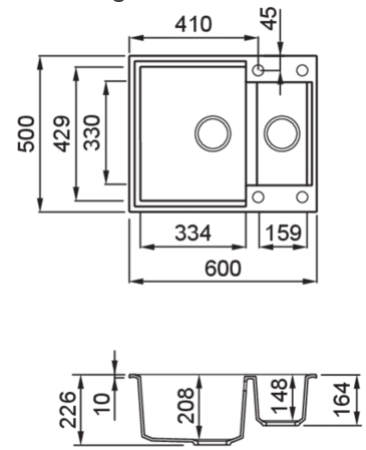


EASY 150

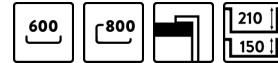


Technical Drawing



0

Description	1½-bowl sink
Model	EASY 150
Base (mm)	600 800 if first component
0	Inset
Dimensions (mm)	600 x 500
Hole for built-in installation (mm)	580 x 480
Number of Bowls	1.5

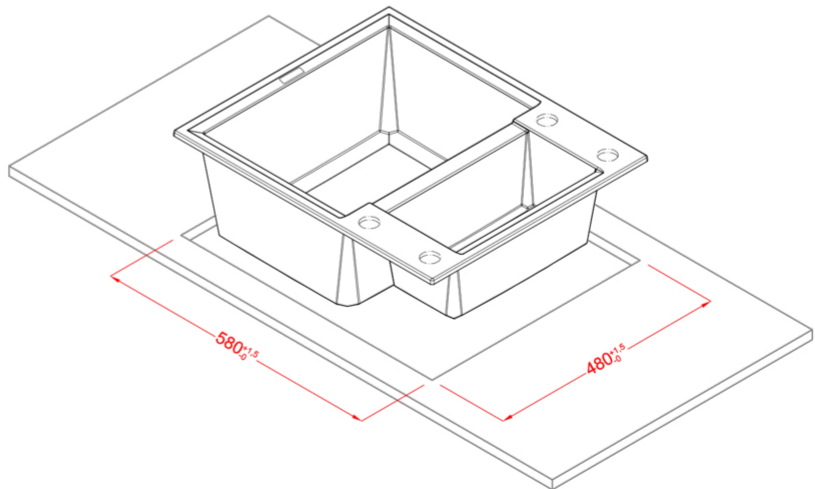
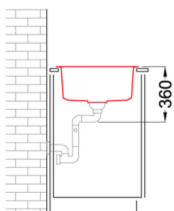
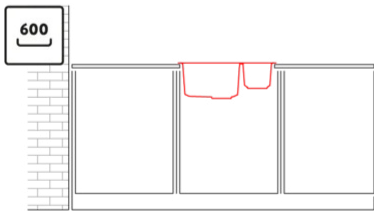
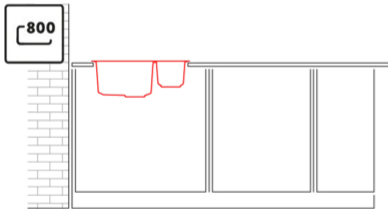
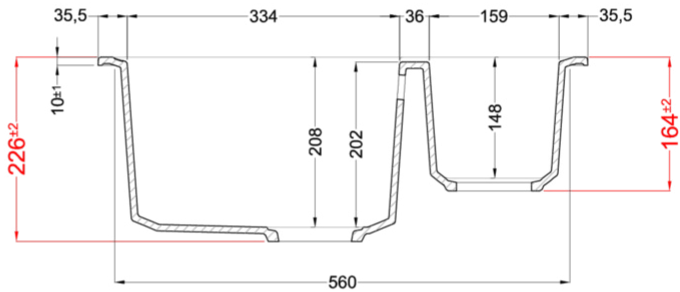
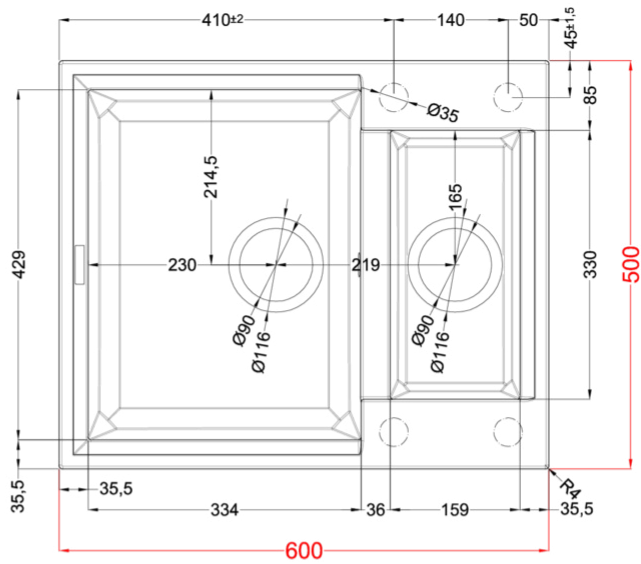
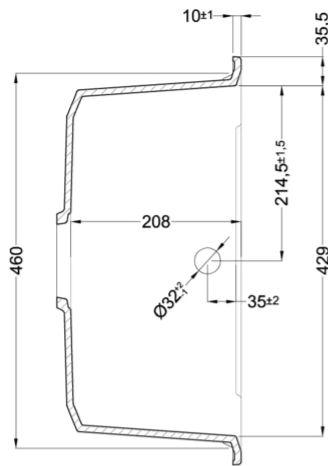


0

Gross Weight (kg)	15,31
Net Weight (kg)	9,90
Packaging Dimension (kg)	690 x 575 x 300
0 (kg)	0,119

0

Packaging	Cardboard and polyethylene
0	Space-saving siphon, wastes and hooks.



EASY 150

general tolerances where not expressly communicated $\pm 0.2\%$
connection dimensions according to UNI EN 695

