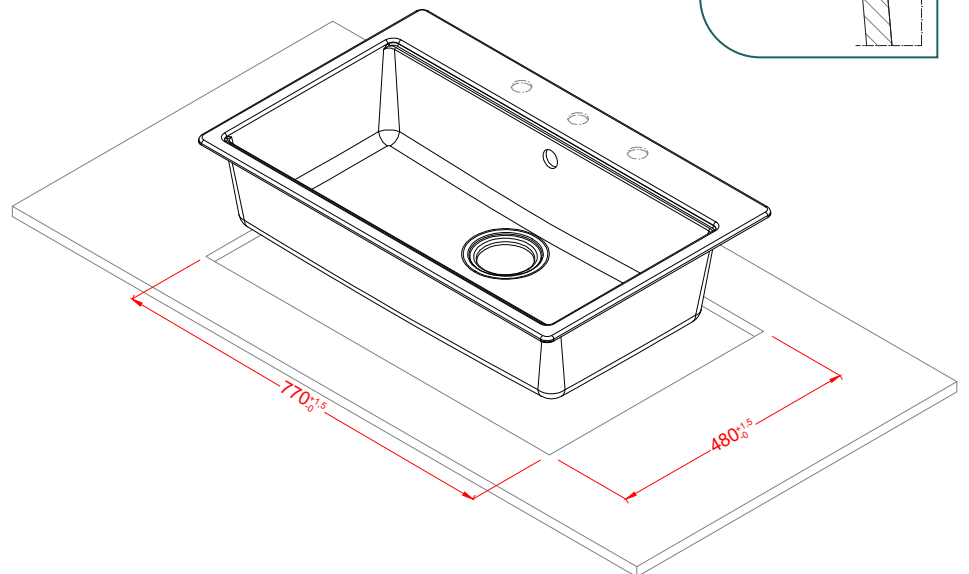
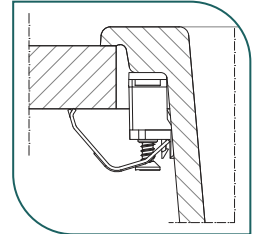


Fixing System



Time 130

general tolerances where not expressly communicated ± 1 mm
connection dimensions according to UNI EN 695
eventual exceptions are reported with *

elleci