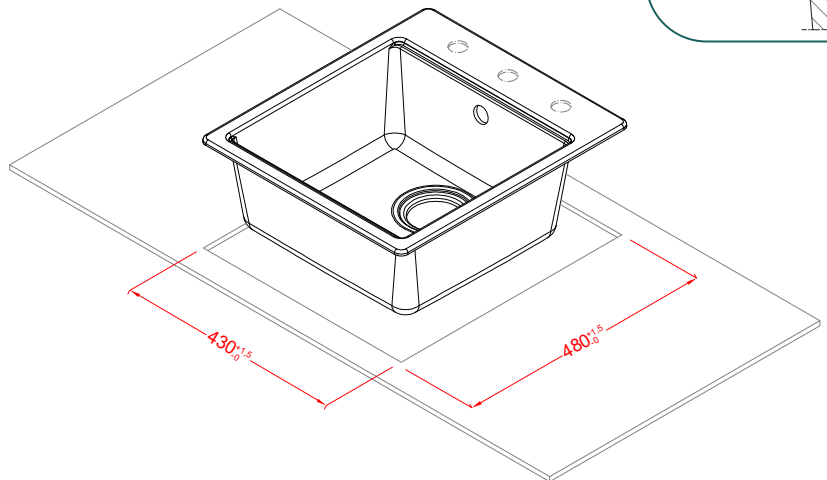
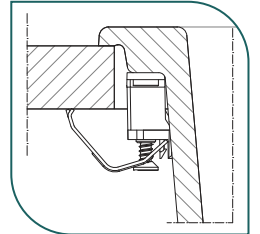


Fixing System



## Time 102

general tolerances where not expressly communicated  $\pm 1$  mm  
connection dimensions according to UNI EN 695  
eventual exceptions are reported with \*

elleci