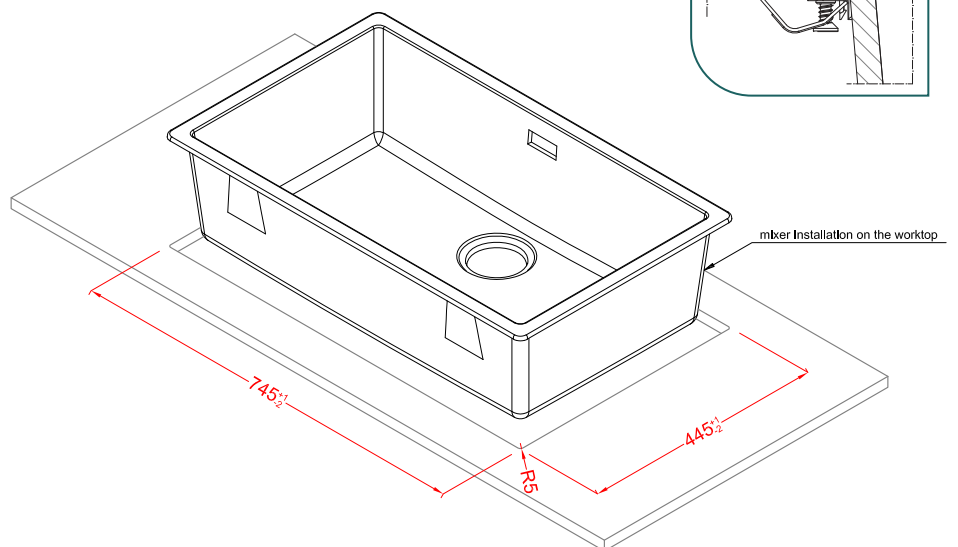
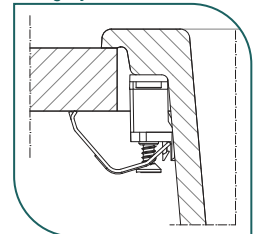


Fixing System



Dynamo 130

general tolerances where not expressly communicated ±1 mm
 connection dimensions according to UNI EN 695
 eventual exceptions are reported with *

elleci